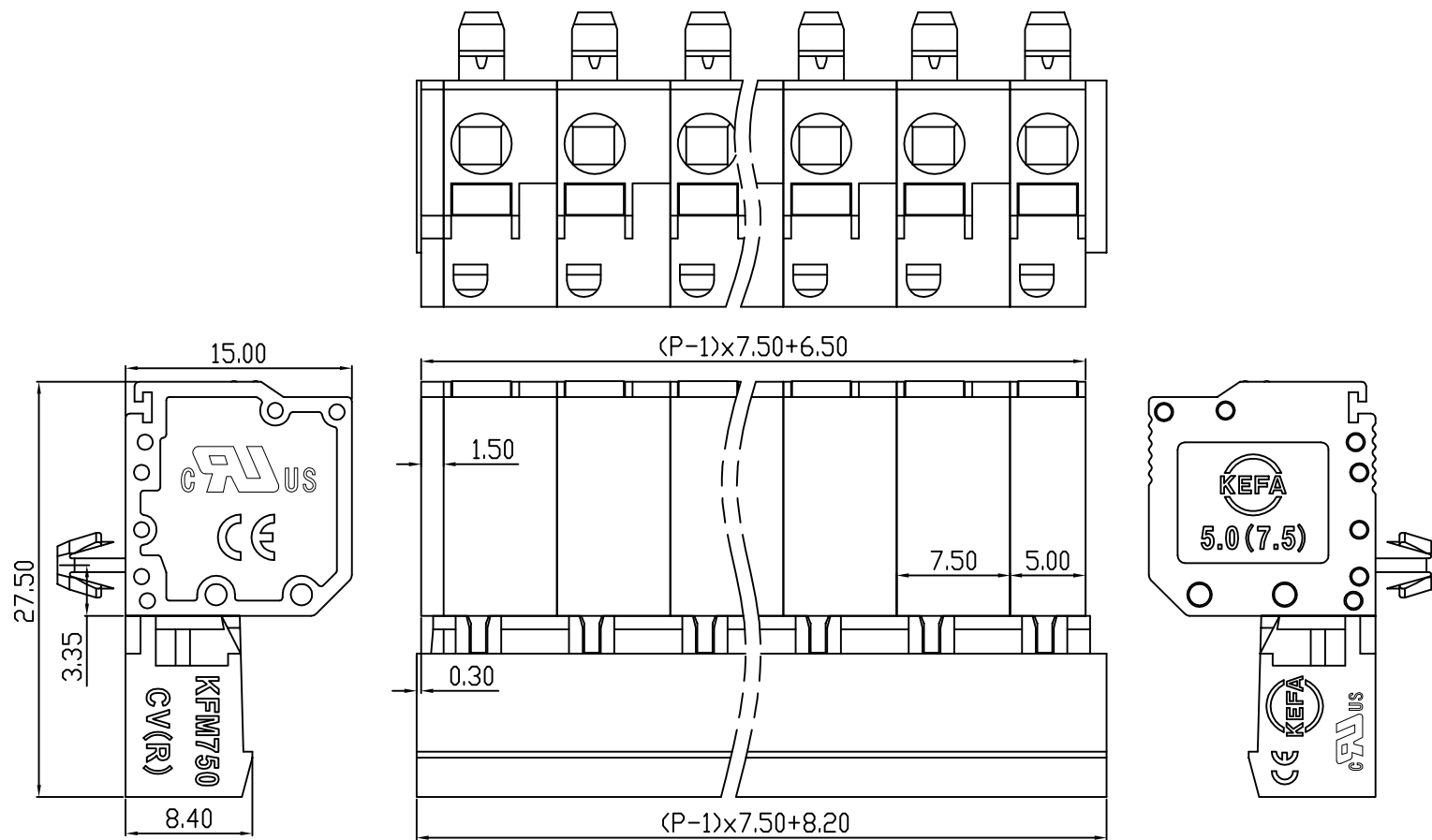


| linear dimension(Tolerances Standard GB/T 14486-2008) | | | | | | | | — | ∇ | \perp |
|---|-------|--------------|---------------|---------------|----------------|-----------------|-------------|-------|----------------|-------------|
| variable range | to 6 | over 6 to 10 | over 10 to 30 | over 30 to 60 | over 60 to 100 | over 100 to 160 | over 160 to | to 10 | over 10 to 100 | over 100 to |
| tolerance | ±0.20 | ±0.30 | ±0.50 | ±0.70 | ±1.00 | ±1.30 | ±1.60 | 0.10 | 0.30 | 0.60 |

| REVISION RECORD | | | | |
|-----------------|-------------|---------|----------|----------|
| REV. | DESCRIPTION | ECN No. | APPROVED | DATE |
| A | 新发行 | | CLF | 22.03.19 |
| | | | | |
| | | | | |

| UL/CUL 技术参数 UL/CUL Technical Data | | | | |
|--|--|------------------|-----|------|
| 等级 Use Group | | B | C | D |
| 额定电压 Rated Voltage [V] | | 300 | - | 300 |
| 额定电流 Rated Current [A] | | 10 | - | 10 |
| 接线范围 Wire Range | | 28-12 | | |
| 单/多芯线 Solid/Stranded [AWG] | | | | |
| 耐电压 Withstanding Voltage | | 1600V/1Min | | |
| IEC 技术参数 IEC Technical Data | | | | |
| 过电压类别 Overvoltage Category | | III | III | II |
| 污染等级 Contamination Class | | 3 | 2 | 2 |
| 额定电压 Rated Voltage [V] | | 400 | 630 | 1000 |
| 额定电流 Rated Current [A] | | 15 | 15 | 15 |
| 额定冲击电压 Impulse withstand voltage ^a [KV] | | 6.0 | 6.0 | 6.0 |
| 导线截面积 Conductor cross section | | 2.5 | | |
| 硬质/柔性导线 Solid/flexible [mm ²] | | | | |
| 材料 Material | | | | |
| 绝缘材料 Insulation Material | | PA66 | | |
| 阻燃等级 Imflammability | | UL94V-0 | | |
| 导体材料 Contactor Material | | 铜合金 Copper alloy | | |
| 导体表面镀层 Contactive Coating | | 镀锡 Tin Plated | | |
| 一般参数 Other Data | | | | |
| 间距 Pitch [mm] | | 7.5 | | |
| 极数 Poles [P] | | 2-24 | | |
| 剥线长度 Stripping Length [mm] | | 10-11 | | |
| 螺丝 Screw/扭矩 Torque(Max) [N.m] | | - | | |
| 工作温度 Operating temperatur [°C] | | -40~+105 | | |
| 引针尺寸 Pin Dimensions [mm] | | - | | |
| PCB板孔径 PCB Hole Diameter [mm] | | - | | |



| | | | | | | | | | | | | |
|------|-----|------|----------|--|----|---------|----|----------|-----|-----------------------------|----------|--------------|
| DES. | LQQ | DATE | 22.03.19 | 单位/UNITS | mm | 尺寸/SIZE | A4 | 比例/SCALE | 1:1 | 第三视角/THIRD ANGLE PROJECTION | 版本/REV | A |
| CHK. | BY | DATE | 22.03.19 |  慈溪市科发电子有限公司 CIXI KEFA ELECTRONIC CO., LTD | | | | | | | 名称/TITLE | KFM750RK-7.5 |
| APP. | CLF | DATE | 22.03.19 | | | | | | | | | |