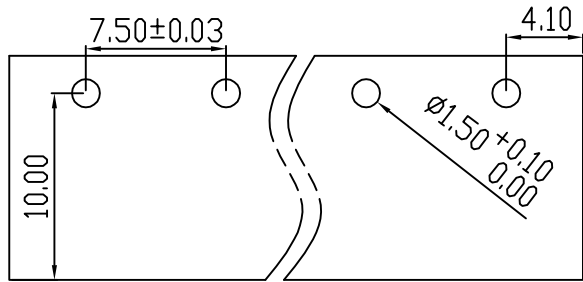
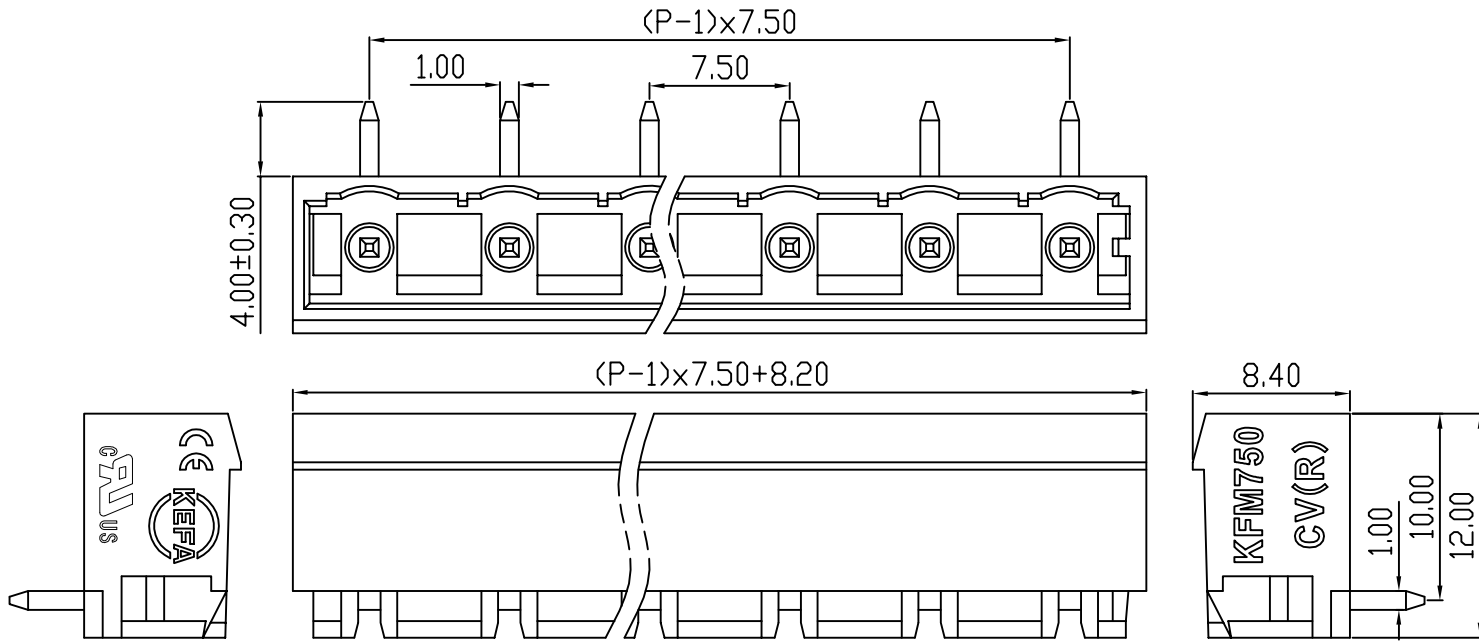


|   |       |              |               |               |                |                 |             |       |                |             |
|---|-------|--------------|---------------|---------------|----------------|-----------------|-------------|-------|----------------|-------------|
| linear dimension(Tolerances Standard GB/T 14486-2008) |       |              |               |               |                |                 |             | —     |                |             |
| variable range  | to 6  | over 6 to 10 | over 10 to 30 | over 30 to 60 | over 60 to 100 | over 100 to 160 | over 160 to | to 10 | over 10 to 100 | over 100 to |
| tolerance   | ±0.20 | ±0.30        | ±0.50         | ±0.70         | ±1.00          | ±1.30           | ±1.60       | 0.10  | 0.30           | 0.60        |



PCB LAYOUT



| REVISION RECORD |             |         |          |          |
|-----------------|-------------|---------|----------|----------|
| REV.            | DESCRIPTION | ECN No. | APPROVED | DATE     |
| A               | 新发行         |         | CLF      | 22.03.19 |
|                 |             |         |          |          |
|                 |             |         |          |          |

|                                      |                                 |                  |     |      |  |  |
|--------------------------------------|---------------------------------|------------------|-----|------|--|--|
| UL/CUL 技术参数<br>UL/CUL Technical Data |                                 |                  |     |      |  |  |
| 等级                                   | Use Group                       | B                | C   | D    |  |  |
| 额定电压                                 | Rated Voltage [V]               | 300              | -   | 300  |  |  |
| 额定电流                                 | Rated Current [A]               | 10               | -   | 10   |  |  |
| 接线范围                                 | Wire Range                      | -                |     |      |  |  |
| 单/多芯线                                | Solid/Stranded [AWG]            | -                |     |      |  |  |
| 耐电压                                  | Withstanding Voltage            | 1600V/1Min       |     |      |  |  |
| IEC 技术参数<br>IEC Technical Data       |                                 |                  |     |      |  |  |
| 过电压类别                                | Overvoltage Category            | III              | III | II   |  |  |
| 污染等级                                 | Contamination Class             | 3                | 2   | 2    |  |  |
| 额定电压                                 | Rated Voltage [V]               | 400              | 630 | 1000 |  |  |
| 额定电流                                 | Rated Current [A]               | 15               | 15  | 15   |  |  |
| 额定冲击电压                               | Impulse withstand voltagea [KV] | 6.0              | 6.0 | 6.0  |  |  |
| 导线截面积                                | Conductor cross section         | -                |     |      |  |  |
| 硬质/柔性导线                              | Solid/flexible [mm²]            | -                |     |      |  |  |
| 材料 Material                          |                                 |                  |     |      |  |  |
| 绝缘材料                                 | Insulation Material             | PA66             |     |      |  |  |
| 阻燃等级                                 | Imflamability                   | UL94V-0          |     |      |  |  |
| 导体材料                                 | Contactur Material              | 铜合金 Copper alloy |     |      |  |  |
| 导体表面镀层                               | Contactive Coating              | 镀锡 Tin Plated    |     |      |  |  |
| 一般参数 Other Data                      |                                 |                  |     |      |  |  |
| 间距                                   | Pitch [mm]                      | 7.5              |     |      |  |  |
| 极数                                   | Poles [P]                       | 2-24             |     |      |  |  |
| 剥线长度                                 | Stripping Length [mm]           | -                |     |      |  |  |
| 螺丝                                   | Screw/扭矩 Torque(Max) [N.m]      | -                |     |      |  |  |
| 工作温度                                 | Operating temperatur [°C]       | -40~+105         |     |      |  |  |
| 引针尺寸                                 | Pin Dimensions [mm]             | 4.0              |     |      |  |  |
| PCB板孔径                               | PCB Hole Diameter [mm]          | 1.5              |     |      |  |  |

|      |     |      |          |  |    |         |    |          |              |                             |        |   |
|------|-----|------|----------|--|----|---------|----|----------|--------------|-----------------------------|--------|---|
| DES. | LQQ | DATE | 22.03.19 | 单位/UNITS                                     | mm | 尺寸/SIZE | A4 | 比例/SCALE | 1:1          | 第三视角/THIRD ANGLE PROJECTION | 版本/REV | A |
| CHK. | BY  | DATE | 22.03.19 | 慈溪市科发电子有限公司<br>CIXI KEFA ELECTRONIC CO., LTD |    |         |    | 名称/TITLE | KFM750CR-7.5 |                             |        |   |
| APP. | CLF | DATE | 22.03.19 |  |    |         |    |          |              |                             |        |   |