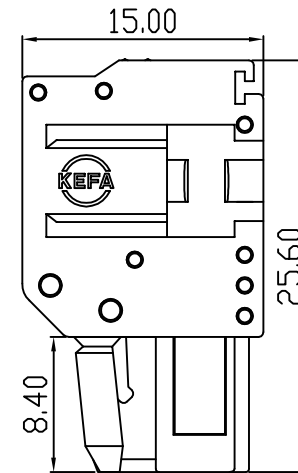
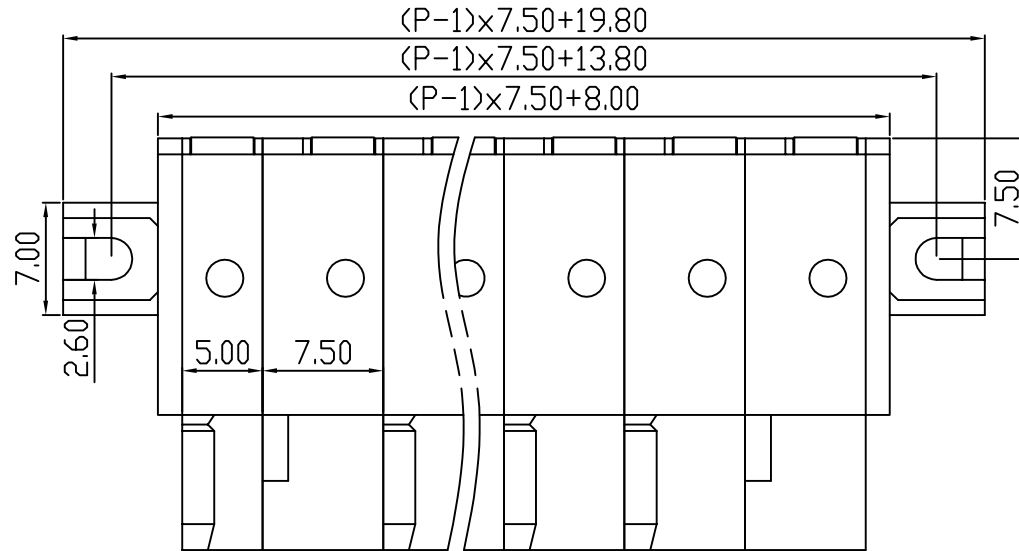
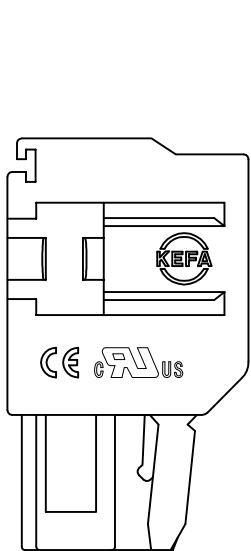
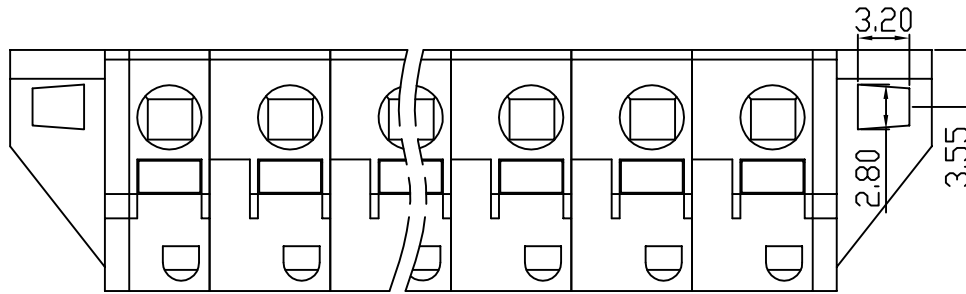


linear dimension(Tolerances Standard GB/T 14486-2008)								—		
variable range	to 6	over 6 to 10	over 10 to 30	over 30 to 60	over 60 to 100	over 100 to 160	over 160 to	to 10	over 10 to 100	over 100 to
tolerance	±0.20	±0.30	±0.50	±0.70	±1.00	±1.30	±1.60	0.10	0.30	0.60

REVISION RECORD				
REV.	DESCRIPTION	ECN No.	APPROVED	DATE
A	新发行		CLF	22.03.19



UL/CUL 技术参数 UL/CUL Technical Data						
等级	Use Group	B	C	D		
额定电压	Rated Voltage [V]	300	-	300		
额定电流	Rated Current [A]	10	-	10		
接线范围	Wire Range					28-12
单/多芯线	Solid/Stranded [AWG]					
耐电压	Withstanding Voltage					1600V/1Min
IEC 技术参数 IEC Technical Data						
过电压类别	Overvoltage Category	III	III	II		
污染等级	Contamination Class	3	2	2		
额定电压	Rated Voltage [V]	400	630	1000		
额定电流	Rated Current [A]	15	15	15		
额定冲击电压	Impulse withstand voltage ^a [KV]	6.0	6.0	6.0		
导线截面积	Conductor cross section					2.5
硬质/柔性导线	Solid/flexible [mm ²]					
材料 Material						
绝缘材料	Insulation Material					PA66
阻燃等级	Imflammability					UL94V-0
导体材料	Contactive Material					铜合金 Copper alloy
导体表面镀层	Contactive Coating					镀镍 Ni Plated
一般参数 Other Data						
间距	Pitch [mm]					7.5
极数	Poles [P]					2-24
剥线长度	Stripping Length [mm]					10-11
螺丝	Screw/扭矩 Torque(Max) [N.m]					-
工作温度	Operating temperatur [°C]					-40~+105
引针尺寸	Pin Dimensions [mm]					-
PCB板孔径	PCB Hole Diameter [mm]					-

DES.	LQQ	DATE	22.03.19	单位/UNITS	mm	尺寸/SIZE	A4	比例/SCALE	1:1	第三视角/THIRD ANGLE PROJECTION	版本/REV	A
CHK.	BY	DATE	22.03.19	慈溪市科发电子有限公司 CIXI KEFA ELECTRONIC CO., LTD				名称/TITLE	KFM750CP-7.5			
APP.	CLF	DATE	22.03.19									