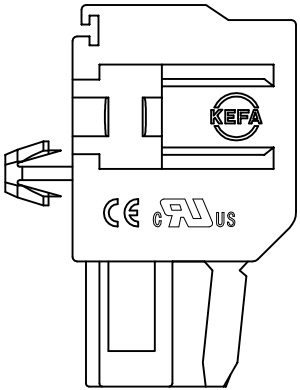
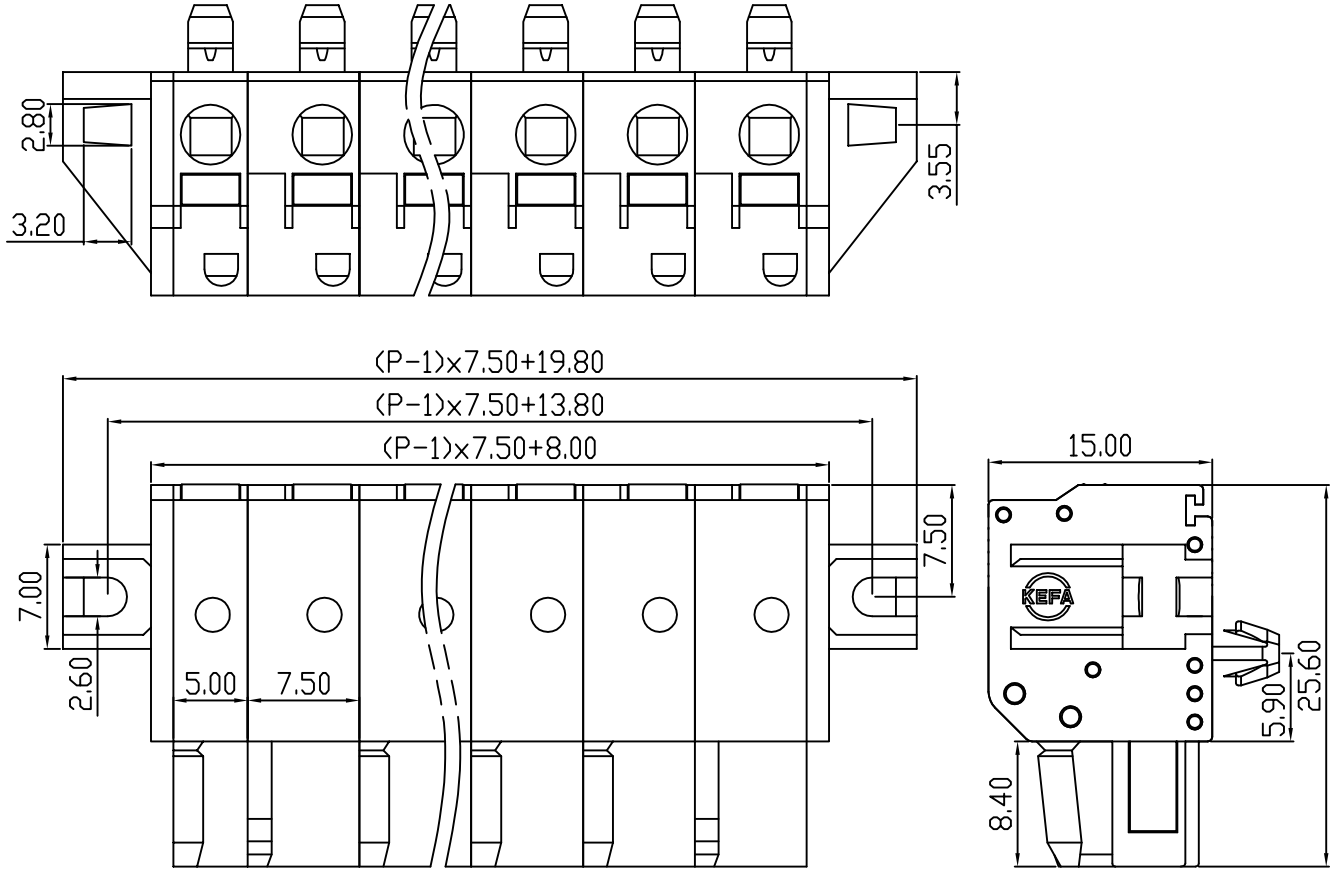


linear dimension(Tolerances Standard GB/T 14486-2008)								—	∇	\perp
variable range	to 6	over 6 to 10	over 10 to 30	over 30 to 60	over 60 to 100	over 100 to 160	over 160 to	to 10	over 10 to 100	over 100 to
tolerance	±0.20	±0.30	±0.50	±0.70	±1.00	±1.30	±1.60	0.10	0.30	0.60

REVISION RECORD				
REV.	DESCRIPTION	ECN No.	APPROVED	DATE
A	新发行		CLF	22.03.19

UL/CUL 技术参数 UL/CUL Technical Data							
等级	Use Group	B	C				D
额定电压	Rated Voltage [V]	300	-	300			
额定电流	Rated Current [A]	10	-	10			
接线范围	Wire Range					28-12	
单/多芯线	Solid/Stranded [AWG]						
耐电压	Withstanding Voltage					1600V/1Min	
IEC 技术参数 IEC Technical Data							
过电压类别	Overvoltage Category	III	III	II			
污染等级	Contamination Class	3	2	2			
额定电压	Rated Voltage [V]	400	630	1000			
额定电流	Rated Current [A]	15	15	15			
额定冲击电压	Impulse withstand voltage ^a [KV]	6.0	6.0	6.0			
导线截面积	Conductor cross section					2.5	
硬质/柔性导线	Solid/flexible [mm ²]						
材料 Material							
绝缘材料	Insulation Material					PA66	
阻燃等级	Imflammability					UL94V-0	
导体材料	Contacting Material					铜合金 Copper alloy	
导体表面镀层	Contactive Coating					镀镍 Ni Plated	
一般参数 Other Data							
间距	Pitch [mm]					7.5	
极数	Poles [P]					2-24	
剥线长度	Stripping Length [mm]					10-11	
螺丝	Screw/扭矩 Torque(Max) [N.m]					-	
工作温度	Operating temperatur [°C]					-40~+105	
引针尺寸	Pin Dimensions [mm]					-	
PCB板孔径	PCB Hole Diameter [mm]					-	



DES.	LQQ	DATE	22.03.19	单位/UNITS	mm	尺寸/SIZE	A4	比例/SCALE	1:1	第三视角/THIRD ANGLE PROJECTION	版本/REV	A
CHK.	BY	DATE	22.03.19	慈溪市科发电子有限公司 CIXI KEFA ELECTRONIC CO., LTD				名称/TITLE	KFM750BPF-7.5			
APP.	CLF	DATE	22.03.19									