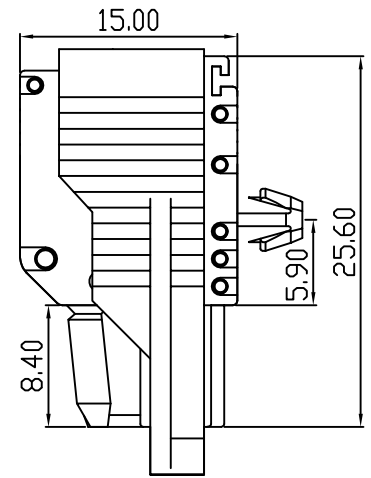
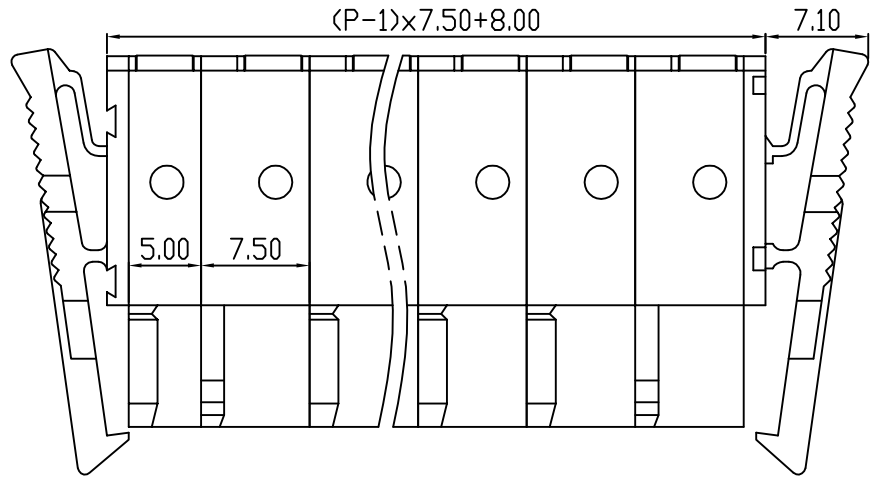
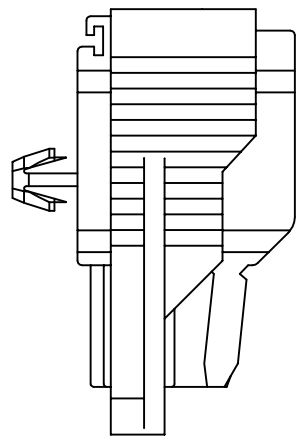
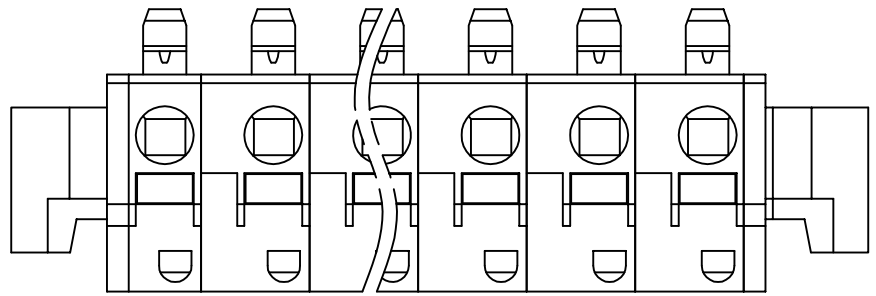


linear dimension(Tolerances Standard GB/T 14486-2008)								—	∇	\perp
variable range	to 6	over 6 to 10	over 10 to 30	over 30 to 60	over 60 to 100	over 100 to 160	over 160 to	to 10	over 10 to 100	over 100 to
tolerance	±0.20	±0.30	±0.50	±0.70	±1.00	±1.30	±1.60	0.10	0.30	0.60

REVISION RECORD				
REV.	DESCRIPTION	ECN No.	APPROVED	DATE
A	新发行		CLF	22.03.19



UL/CUL 技术参数 UL/CUL Technical Data						
等级	Use Group		B	C	D	
额定电压	Rated Voltage [V]		300	-	300	
额定电流	Rated Current [A]		10	-	10	
接线范围	Wire Range		28-12			
单/多芯线	Solid/Stranded [AWG]					
耐电压	Withstanding Voltage		1600V/1Min			
IEC 技术参数 IEC Technical Data						
过电压类别	Overvoltage Category		III	III	II	
污染等级	Contamination Class		3	2	2	
额定电压	Rated Voltage [V]		400	630	1000	
额定电流	Rated Current [A]		15	15	15	
额定冲击电压	Impulse withstand voltagea [KV]		6.0	6.0	6.0	
导线截面积	Conductor cross section		2.5			
硬/柔性导线	Solid/flexible [mm²]					
材料				Material		
绝缘材料	Insulation Material		PA66			
阻燃等级	Imflammability		UL94V-0			
导体材料	Contacting Material		铜合金 Copper alloy			
导体表面镀层	Contactive Coating		镀镍 Ni Plated			
一般参数				Other Data		
间距	Pitch [mm]		7.5			
极数	Poles [P]		2-24			
剥线长度	Stripping Length [mm]		10-11			
螺丝	Screw/扭矩 Torque(Max) [N.m]		-			
工作温度	Operating temperatur [°C]		-40~+105			
引针尺寸	Pin Dimensions [mm]		-			
PCB板孔径	PCB Hole Diameter [mm]		-			

DES.	LQQ	DATE	22.03.19	单位 / UNITS	mm	尺寸 / SIZE	A4	比例 / SCALE	1:1	第三视角 / THIRD ANGLE PROJECTION	版本 / REV	A
CHK.	BY	DATE	22.03.19	慈溪市科发电子有限公司 CIXI KEFA ELECTRONIC CO., LTD				名称 / TITLE	 KFM750BGF-7.5			
APP.	CLF	DATE	22.03.19									