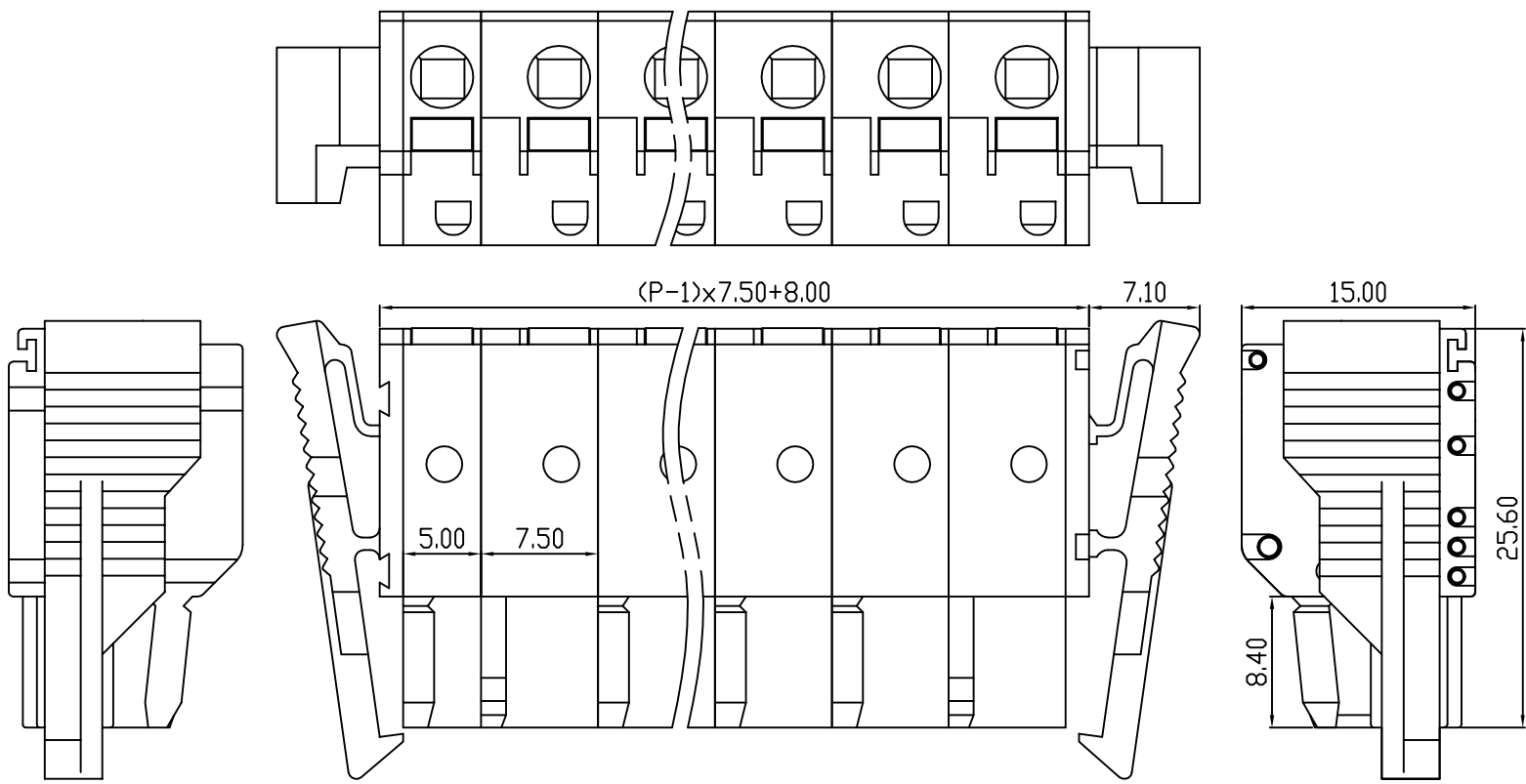


linear dimension(Tolerances Standard GB/T 14486-2008)								—		
variable range	to 6	over 6 to 10	over 10 to 30	over 30 to 60	over 60 to 100	over 100 to 160	over 160 to	to 10	over 10 to 100	over 100 to
tolerance	±0.20	±0.30	±0.50	±0.70	±1.00	±1.30	±1.60	0.10	0.30	0.60

REVISION RECORD				
REV.	DESCRIPTION	ECN No.	APPROVED	DATE
A	新发行		CLF	22.03.19

UL/CUL 技术参数 UL/CUL Technical Data					
等级 Use Group	B	C	D		
额定电压 Rated Voltage [V]	300	-	300		
额定电流 Rated Current [A]	10	-	10		
接线范围 Wire Range	28-12				
单/多芯线 Solid/Stranded [AWG]					
耐电压 Withstanding Voltage	1600V/1Min				
IEC 技术参数 IEC Technical Data					
过电压类别 Overvoltage Category	III	III	II		
污染等级 Contamination Class	3	2	2		
额定电压 Rated Voltage [V]	400	630	1000		
额定电流 Rated Current [A]	15	15	15		
额定冲击电压 Impulse withstand voltagea [KV]	6.0	6.0	6.0		
导线截面积 Conductor cross section	2.5				
硬质/柔性导线 Solid/flexible [mm²]					
材料 Material					
绝缘材料 Insulation Material	PA66				
阻燃等级 Imflammability	UL94V-0				
导体材料 Contactor Material	铜合金 Copper alloy				
导体表面镀层 Contactive Coating	镀镍 Ni Plated				
一般参数 Other Data					
间距 Pitch [mm]	7.5				
极数 Poles [P]	2-24				
剥线长度 Stripping Length [mm]	10-11				
螺丝 Screw/扭矩 Torque(Max) [N.m]	-				
工作温度 Operating temperatur [°C]	-40~+105				
引针尺寸 Pin Dimensions [mm]	-				
PCB板孔径 PCB Hole Diameter [mm]	-				



DES.	LQQ	DATE	22.03.19	单位/UNITS	mm	尺寸/SIZE	A4	比例/SCALE	1:1	第三视角/THIRD ANGLE PROJECTION	版本/REV	A
CHK.	BY	DATE	22.03.19	慈溪市科发电子有限公司 CIXI KEFA ELECTRONIC CO., LTD				名称/TITLE	KFM750BG-7.5			
APP.	CLF	DATE	22.03.19									