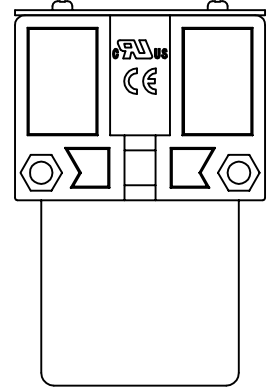
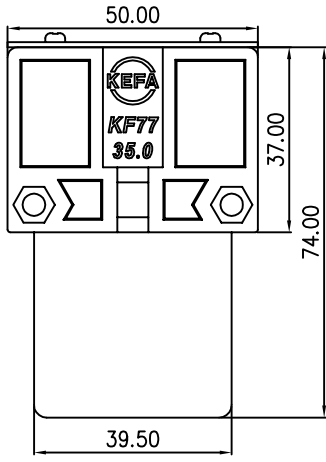
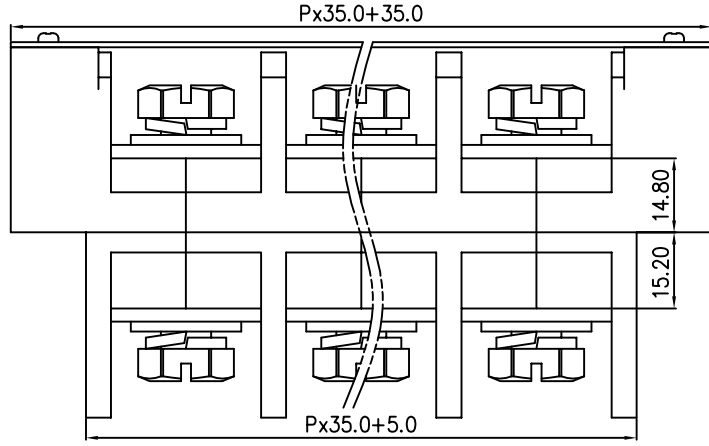
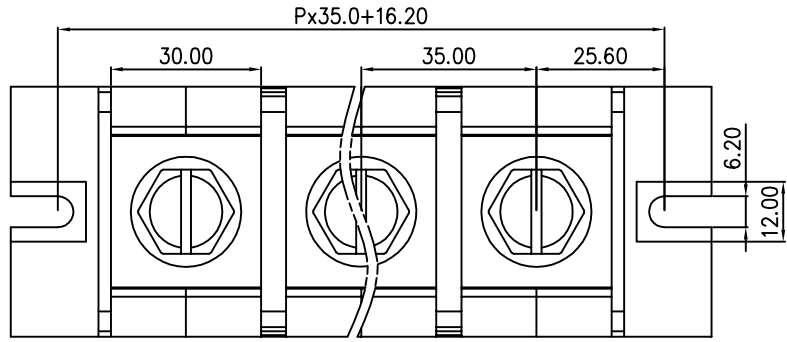
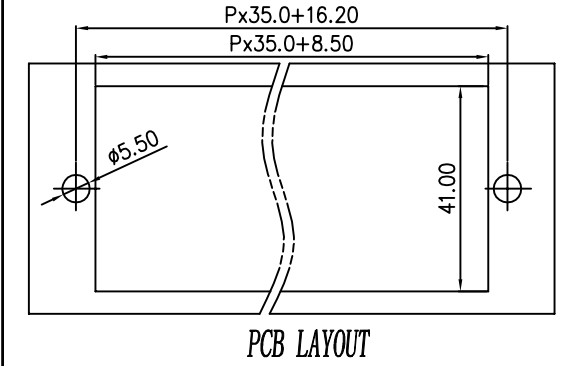


linear dimension(Tolerances Standard GB/T 14486-2008)								—		
variable range	to 6	over 6 to 10	over 10 to 30	over 30 to 60	over 60 to 100	over 100 to 160	over 160 to	to 10	over 10 to 100	over 100 to
tolerance	±0.20	±0.30	±0.50	±0.70	±1.00	±1.30	±1.60	0.10	0.30	0.60

REVISION RECORD				
REV.	DESCRIPTION	ECN No.	APPROVED	DATE
A	新发行		CLF	24.05.17



UL/CUL 技术参数				
UL/CUL Technical Data				
等级	Use Group	B	C	D
额定电压	Rated Voltage [V]	600	-	-
额定电流	Rated Current [A]	300	-	-
接线范围	Wire Range	3/0-500		
单/多芯线	Solid/Stranded [AWG]			
IEC 技术参数				
IEC Technical Data				
额定电压	Rated Voltage [V]	1000		
额定电流	Rated Current [A]	300		
耐电压	Withstanding Voltage	3500V/1Min		
导线截面积	Conductor cross section	150.0		
硬质/柔性导线	Solid/flexible [mm ²]			
材料 Material				
绝缘材料	Insulation Material	PBT		
阻燃等级	Inflammability	UL94V-0		
导体材料	Contacting Material	铜合金 Copper alloy		
导体表面镀层	Contactive Coating	镀镍 Ni plating		
一般参数 Other Data				
间距	Pitch [mm]	35.0		
极数	Poles [P]	1-15		
剥线长度	Stripping Length [mm]	-		
螺丝	Screw/扭矩 Torque(Max) [N.m]	M10/10.2		
工作温度	Operating temperatur [°C]	-30~+120		
引针尺寸	Pin Dimensions [mm]	-		
PCB板孔径	PCB Hole Diameter [mm]	-		

DES.	LQQ	DATE	24.05.17
CHK.	BY	DATE	24.05.17
APP.	CLF	DATE	24.05.17

单位/UNITS mm 尺寸/SIZE A4 比例/SCALE 1:1

慈溪市科发电子有限公司
CIXI KEFA ELECTRONICS CO., LTD

第三视角/THIRD ANGLE PROJECTION	版本/REV	A
名称/TITLE	KF77SS-35.0	