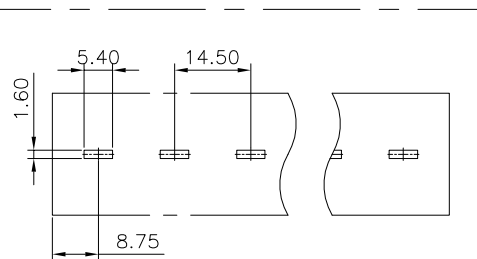
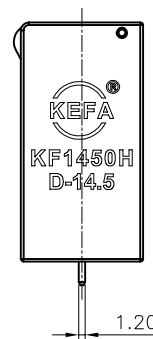
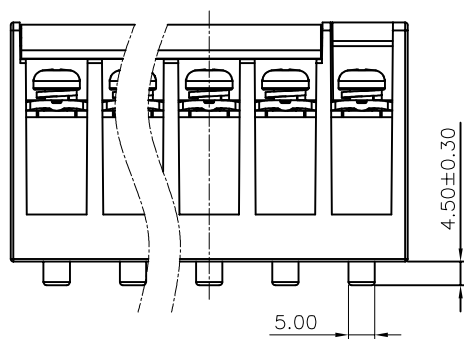
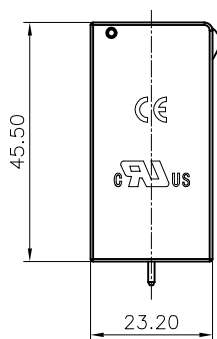
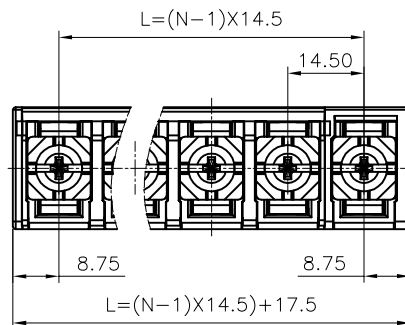
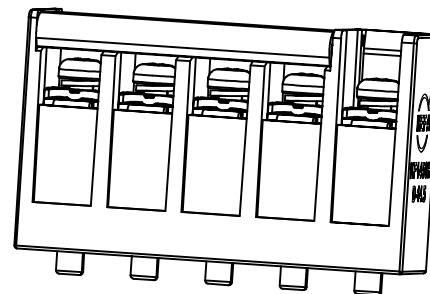


linear dimension(Tolerances Standard GB/T 14486-2008)								—		
variable range	to 6	over 6 to 10	over 10 to 30	over 30 to 60	over 60 to 100	over 100 to 160	over 160 to 10	to 10	over 10 to 100	over 100 to 100
tolerance	±0.20	±0.30	±0.50	±0.70	±1.00	±1.30	±1.60	0.10	0.30	0.60



PCB LAYOUT

REVISION RECORD					
REV.	DESCRIPTION	ECN No.	APPROVED	DATE	

UL/CUL 技术参数					
UL/CUL Technical Data					
等级	Use Group	B	C	D	
额定电压	Rated Voltage [V]	600	600	600	
额定电流	Rated Current [A]	50	50	10	
接线范围	Wire Range	20-8			
单/多芯线	Solid/Stranded [AWG]				
耐电压	Withstanding Voltage	AC 2.2KV/ 1 min			

IEC 技术参数					
IEC Technical Data					
过电压类别	Overvoltage Category	III	III	II	
污染等级	Contamination Class	3	2	2	
额定电压	Rated Voltage [V]	800	1000	1000	
额定电流	Rated Current [A]	76	76	76	
额定冲击电压	Impulse withstand voltagea [KV]	6	6	6	
导线截面积	Conductor cross section	0.5-16			
硬质导线	Flexible [mm <sup>2</sup> ]				
柔性导线	Solid [mm <sup>2</sup> ]	0.75-16			

材料		
Material		
绝缘材料	Insulation Material	PBT-4830
阻燃等级	Imflammability	UL94V-0
导体材料	Contactior Material	铜合金 Copper alloy
导体表面镀层	Contactive Coating	镀锡 Tin plating

一般参数		
Other Data		
间距	Pitch [mm]	14.5
极数	Poles [P]	3~16P
剥线长度	Stripping Length [mm]	13
螺丝	Screw/扭矩 Torque(Max) [N.m]	M5/2, 0
工作温度	Operating temperatur [°C]	-30°C~ +120°C
引针尺寸	Pin Dimensions [mm]	4.5
PCB板孔径	PCB Hole Diameter [mm]	1.6x5.4

DES.	CHK	DATE	2024. 11. 29	单位/UNITS	mm	尺寸/ SIZE	A4	比例/ SCALE	1:1	第三视角/THIRD ANGLE PROJECTION	版本/ REV	A
CHK.	CLF	DATE	2024. 11. 29	慈溪市科发电子有限公司 CIXI KEFA ELECTRONICS CO., LTD						名称/ TITLE	KF1450HD-14.5-XXP黑色	
APP.	HDK	DATE	2024. 11. 29					名称/ TITLE	KF1450HD-14.5-XXP黑色			