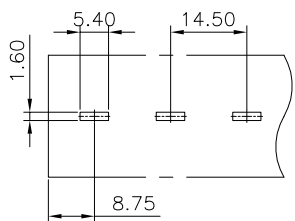
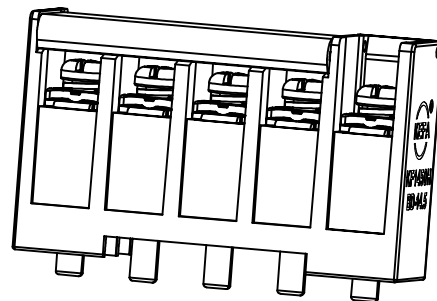
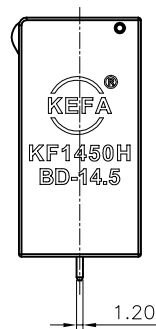
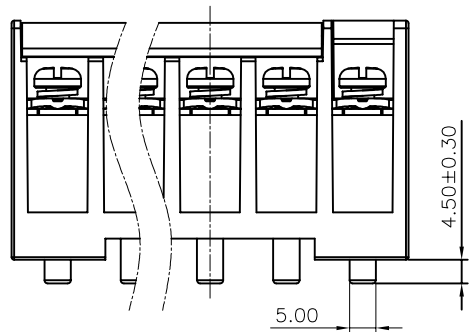
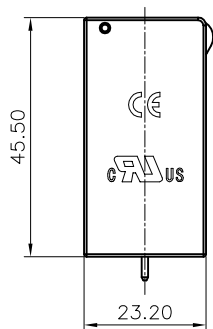
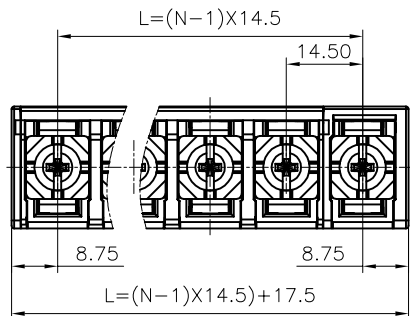


linear dimension(Tolerances Standard GB/T 14486-2008)								—	\square	\perp
variable range	to 6	over 6 to 10	over 10 to 30	over 30 to 60	over 60 to 100	over 100 to 160	over 160 to 10	to 10	over 10 to 100	over 100 to 100
tolerance	±0.20	±0.30	±0.50	±0.70	±1.00	±1.30	±1.60	0.10	0.30	0.60



PCB LAYOUT

REVISION RECORD				
REV.	DESCRIPTION	ECN No.	APPROVED	DATE

UL/CUL 技术参数

UL/CUL Technical Data

等级	Use Group	B	C	D
额定电压	Rated Voltage [V]	600	600	600
额定电流	Rated Current [A]	50	50	10
接线范围	Wire Range	20-8		
单/多芯线	Solid/Stranded [AWG]			
耐电压	Withstanding Voltage	AC 2.2KV/ 1 min		

IEC 技术参数

IEC Technical Data

过电压类别	Overvoltage Category	III	III	II
污染等级	Contamination Class	3	2	2
额定电压	Rated Voltage [V]	800	1000	1000
额定电流	Rated Current [A]	76	76	76
额定冲击电压	Impulse withstand voltagea [KV]	6	6	6
导线截面积	Conductor cross section	0.5-16		
硬质导线	Flexible [mm ²]			
柔性导线	Solid [mm ²]	0.75-16		

材料 Material

绝缘材料	Insulation Material	PBT-4830
阻燃等级	Imflamability	UL94V-0
导体材料	Contactur Material	铜合金 Copper alloy
导体表面镀层	Contactive Coating	镀锡 Tin plating

一般参数 Other Data

间距	Pitch [mm]	14.5
极数	Poles [P]	3~16P
剥线长度	Stripping Length [mm]	13
螺丝	Screw/扭矩 Torque(Max) [N.m]	M5/2.0
工作温度	Operating temperatur [°C]	-30°C~ +120°C
引针尺寸	Pin Dimensions [mm]	4.5
PCB板孔径	PCB Hole Diameter [mm]	1.6x5.4

DES.	CHK	DATE	2024. 11. 29	单位/UNITS	mm	尺寸/ SIZE	A4	比例/ SCALE	1:1	第三视角/THIRD ANGLE PROJECTION	版本/ REV	A
CHK.	CLF	DATE	2024. 11. 29	 慈溪市科发电子有限公司 CIXI KEFA ELECTRONICS CO., LTD						名称/ TITLE	KF1450HBD-14.5-XXP 黑色	
APP.	HDK	DATE	2024. 11. 29									