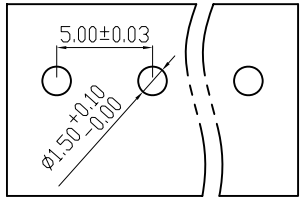


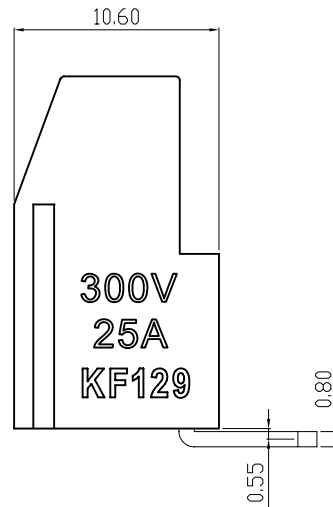
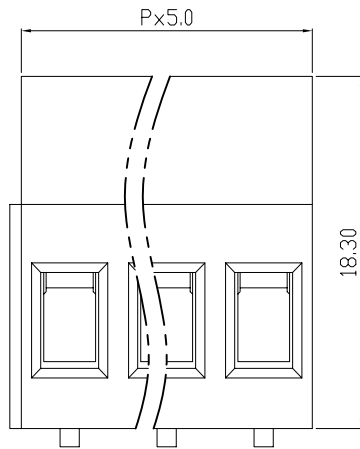
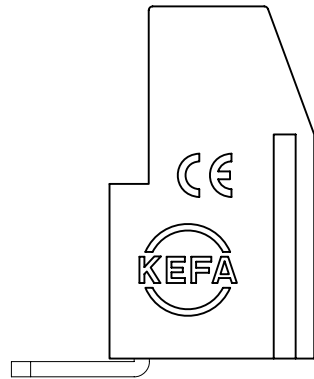
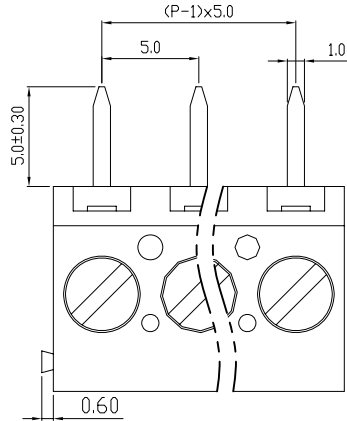
linear dimension(Tolerances Standard GB/T 14486-2008)



variable range	to	over 6 to 10	over 10 to 30	over 30 to 60	over 60 to 100	over 100 to 160	over 160 to	to	over 10 to 100	over 100 to
	6	10	30	60	100	160		10	100	
tolerance	±0.20	±0.30	±0.50	±0.70	±1.00	±1.30	±1.60	0.10	0.30	0.60



PCB LAYOUT



REVISION RECORD

REV.	DESCRIPTION	ECN No.	APPROVED	DATE

UL/CUL 技术参数 UL/CUL Technical Data						
等级	Use Group	B	C	D		
额定电压	Rated Voltage [V]	300	-	300		
额定电流	Rated Current [A]	20	-	10		
接线范围	Wire Range					24-12
单/多芯线	Solid/Stranded [AWG]					
耐电压	Withstanding Voltage					1600V/1Min
IEC 技术参数 IEC Technical Data						
过电压类别	Overtoltage Category	III	III	II		
污染等级	Contamination Class	3	2	2		
额定电压	Rated Voltage [V]	250	400	630		
额定电流	Rated Current [A]	24	24	24		
额定冲击电压	Impulse withstand voltagea [KV]	4.0	4.0	4.0		
导线截面积	Conductor cross section					2.5
硬质/柔性导线	Solid/ flexible [mm ²]					
材料 Material						
绝缘材料	Insulation Material					PA66
阻燃等级	Imflammability					UL94V-0
导体材料	Contactur Material					铜合金 Copper alloy
导体表面镀层	Contactive Coating					镀锡 Tin Plated
一般参数 Other Data						
间距	Pitch [mm]					5.0
极数	Poles [P]					2-24
剥线长度	Stripping Length [mm]					6-7
螺丝	Screw/扭矩 Torque(Max) [N.m]					M3/0.5
工作温度	Operating temperatur [°C]					-40~105
引针尺寸	Pin Dimensions [mm]					5.0
PCB板孔径	PCB Hole Diameter [mm]					1.5

DES.	DATE	单位 / UNITS	mm	尺寸 / SIZE	A4	比例 / SCALE	1:1	第三视角/THIRD ANGLE PROJECTION	版本 / REV	A
CHK.	DATE	慈溪市科发电子有限公司 CIXI KEFA ELECTRONIC CO., LTD							名称 / TITLE KF129R-5.0	
APP.	DATE									