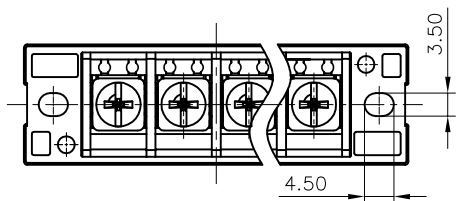
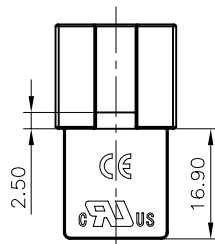
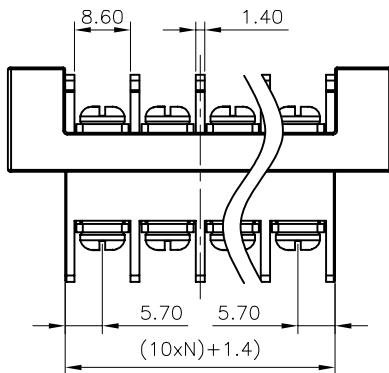
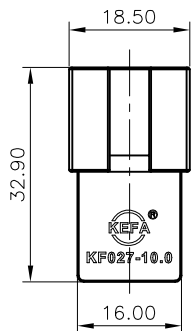
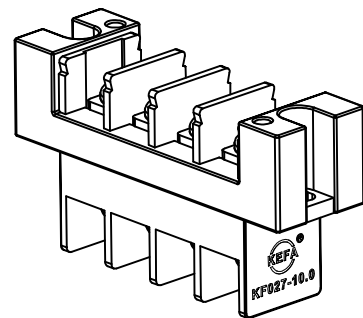
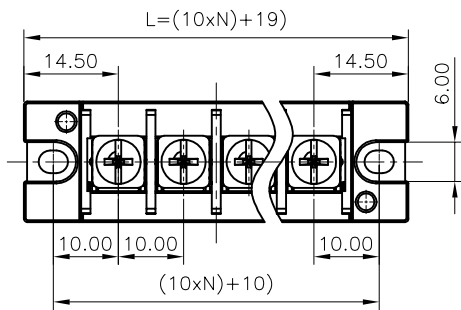
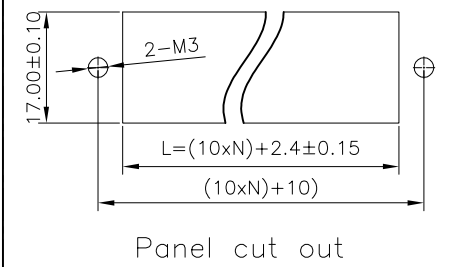


linear dimension(Tolerances Standard GB/T 14486-2008)							—	\square	\perp	
variable range	to 6	over 6 to 10	over 10 to 30	over 30 to 60	over 60 to 100	over 100 to 160	over 160 to 10	over 10 to 100	over 100 to 100	
tolerance	± 0.20	± 0.30	± 0.50	± 0.70	± 1.00	± 1.30	± 1.60	0.10	0.30	0.60



REVISION RECORD				
REV.	DESCRIPTION	ECN No.	APPROVED	DATE

UL/CUL 技术 参数				
UL/CUL Technical Data				
等级	Use Group	B	C	D
额定电压	Rated Voltage [V]	300	/	/
额定电流	Rated Current [A]	20	/	/
接线范围	Wire Range	20-12		
单/多芯线	Solid/Stranded [AWG]	20-12		
耐电压	Withstanding Voltage	1.6KV/ 1 min		

IEC 技术参数		IEC Technical Data		
额定电压	Rated Voltage [V]	450		
额定电流	Rated Current [A]	32		
耐电压	Withstanding Voltage	2.5KV/ 1 min		
导线截面积	Conductor cross section	4.0		
硬质/柔性导线	Solid/ flexible [mm ²]	4.0		
材料	Material			
绝缘材料	Insulation Material	PBT		
阻燃等级	Imflammability	UL94V-0		
导体材料	Contacting Material	铜合金 Copper alloy		
导体表面镀层	Contactive Coating	镀锡 Tin Plated		

一般参数			Other Data	
间距	Pitch [mm]	10.0		
极数	Poles [P]	2~24P		
剥线长度	Stripping Length [mm]	8~9		
螺丝	Screw/扭矩 Torque(Max) [N.m]	M4/1.2		
工作温度	Operating temperatur [°C]	-30°C~ +120°C		
引针尺寸	Pin Dimensions [mm]	/		
PCB板孔径	PCB Hole Diameter [mm]	/		

DES.	CHK	DATE	2024. 09. 25
CHK.	CLF	DATE	2024. 09. 25
APP.	HDK	DATE	2024. 09. 25

单位 / UNITS	mm	尺寸 / SIZE	A4	比例 / SCALE	1:1
慈溪市科发电子有限公司 CIXI KEFA ELECTRONICS CO.,LTD					

第三视角/THIRD ANGLE PROJECTION		版本 / REV	A
名称 / TITLE	KF027-10.0-XXP黑色		