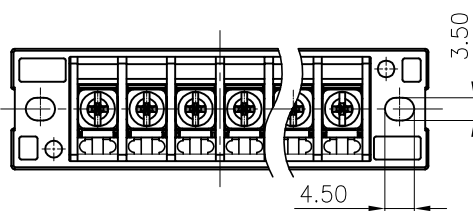
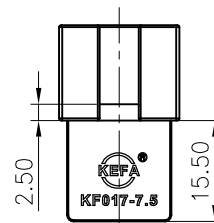
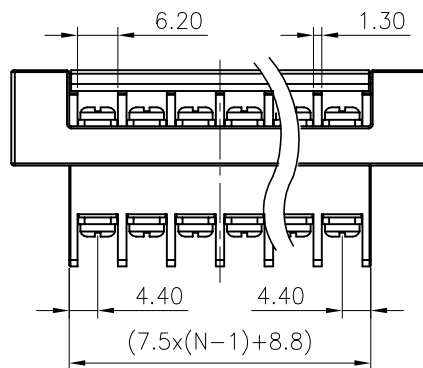
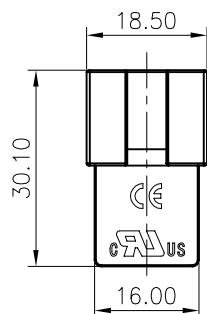
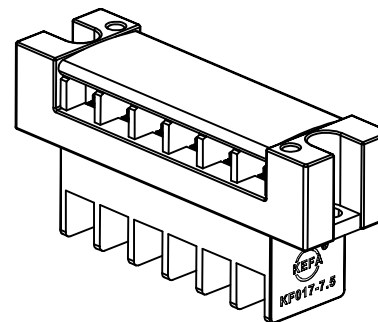
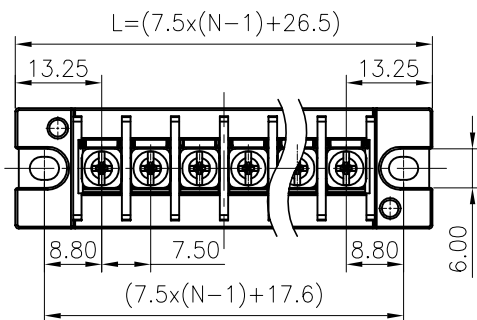
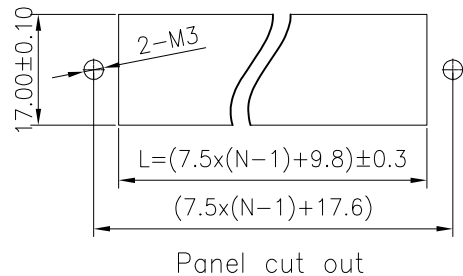


linear dimension(Tolerances Standard GB/T 14486-2008)								—	\square	\perp
variable range	to 6	over 6 to 10	over 10 to 30	over 30 to 60	over 60 to 100	over 100 to 160	over 160 to	to 10	over 10 to 100	over 100 to
tolerance	±0.20	±0.30	±0.50	±0.70	±1.00	±1.30	±1.60	0.10	0.30	0.60



REVISION RECORD				
REV.	DESCRIPTION	ECN No.	APPROVED	DATE

UL/CUL 技术 参数 UL/CUL Technical Data				
等级	Use Group	B	C	D
额定电压	Rated Voltage [V]	300	/	/
额定电流	Rated Current [A]	15	/	/
接线范围	Wire Range	20-14		
单/多芯线	Solid/Stranded [AWG]	20-14		
耐电压	Withstanding Voltage	1.6KV/ 1 min		
IEC 技术参数 IEC Technical Data				
额定电压	Rated Voltage [V]	450		
额定电流	Rated Current [A]	24		
耐电压	Withstanding Voltage	2.5KV/ 1 min		
导线截面积	Conductor cross section	2.5		
硬质/柔性导线	Solid/ flexible [mm ²]	2.5		
材料 Material				
绝缘材料	Insulation Material	PBT		
阻燃等级	Imflammability	UL94V-0		
导体材料	Contacting Material	铜合金 Copper alloy		
导体表面镀层	Contactive Coating	镀锡 Tin Plated		
一般参数 Other Data				
间距	Pitch [mm]	7.5		
极数	Poles [P]	2-24P		
剥线长度	Stripping Length [mm]	7~8		
螺丝	Screw/扭矩 Torque(Max) [N.m]	M3/0.5		
工作温度	Operating temperatur [°C]	-30°C~ +120°C		
引针尺寸	Pin Dimensions [mm]	/		
PCB板孔径	PCB Hole Diameter [mm]	/		

DES.	CHK	DATE	2024. 09. 25	单位 / UNITS	mm	尺寸 / SIZE	A4	比例 / SCALE	1:1	第三视角/THIRD ANGLE PROJECTION	版本 / REV	A
CHK.	CLF	DATE	2024. 09. 25	 慈溪市科发电子有限公司 CIXI KEFA ELECTRONICS CO., LTD							名称 / TITLE	KF017S-7.5-XXP 黑色
APP.	HDK	DATE	2024. 09. 25									